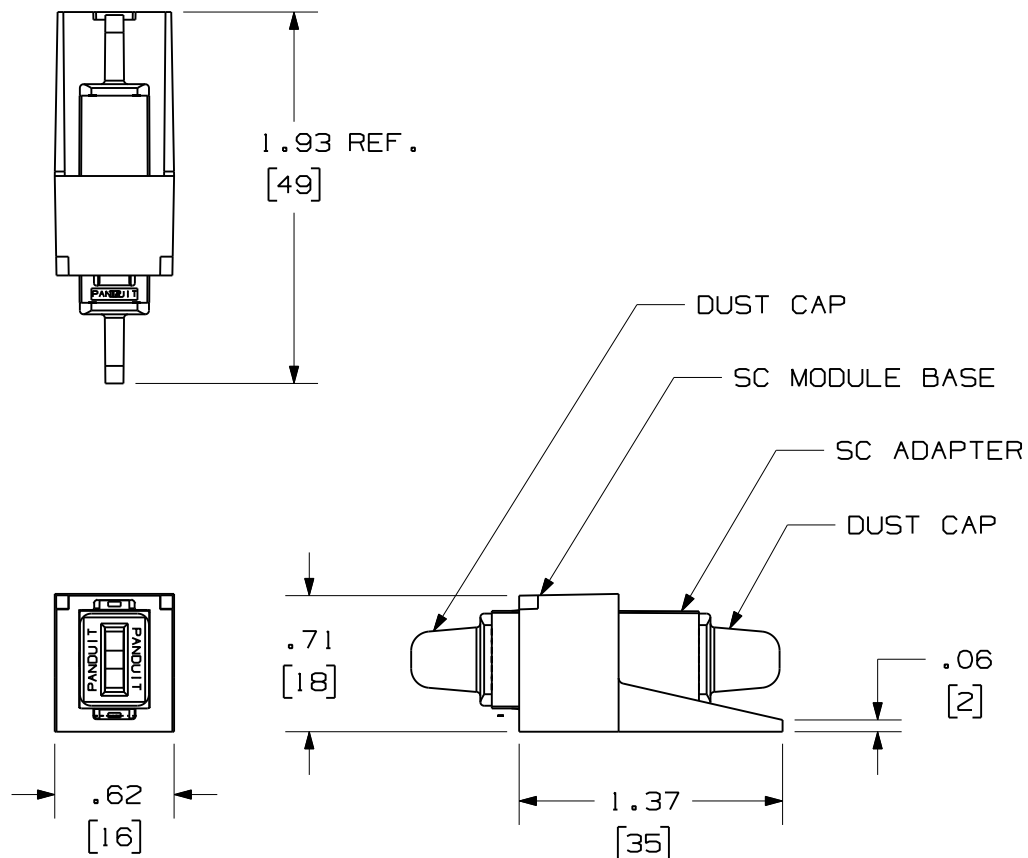


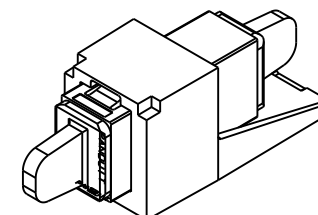
THIS COPY IS PROVIDED ON A RESTRICTED BASIS AND IS NOT TO BE USED IN ANY WAY DETRIMENTAL TO THE INTERESTS OF PANDUIT CORP.



PANDUIT P/N	WEIGHT	SPLIT SLEEVE TYPE
CMSAQSC**	1.2 lbs/100 pcs (540.0 g/100 pcs)	PHOS BRONZE
CMSBUSC**		
CMSEISC**		
CMSAGSCZ**	1.2 lbs/100 pcs (540.0 g/100 pcs)	ZIRCONIA
CMSAQSCZ**		
CMSBUSCZ**		
CMSEISCZ**		


NOTES:

- SEE CURRENT CATALOG FOR PART NUMBER SUFFIXES TO INDICATE COLOR OF MODULE BASE, AND/OR PACKAGE QUANTITIES.
- SEE CATALOG FOR COMPLETE LIST OF PARTS APPLICABLE FOR USE WITH THIS PART.
- MATERIALS:
  - MODULE BASE: PLASTIC
  - ADAPTER HOUSING: PLASTIC
  - SPLIT SLEEVE: ZIRCONIA/PHOS BRONZE
  - INNER LATCH: POLYETHERIMIDE
  - DUST CAP: ELASTOMER
- COMPLIANT WITH TIA/EIA-604-3 (FOCIS-3) AND TIA/EIA-568B.3
- DIMENSIONS IN BRACKETS ARE METRIC [mm]




REV	DATE	BY	CHK	DESCRIPTION	ECN	R	CUST	SUP	OTH
4	02-04-08	MC		RELEASED TO PRODUCTION	01106-06				

MINI-COM SIMPLEX SC ADAPTER MODULE  
CUSTOMER DRAWING



THIRD ANGLE PROJECTION



PANDUIT™  
CORP.  
TINLEY PARK, ILL 60477

ALL DIMENSIONS ARE GIVEN IN INCHES UNLESS OTHERWISE SPECIFIED.

DIMENSIONAL TOLERANCES ARE:  
 (.X) (.XXX) ± .010 [0.3]  
 (.XX) ± .03 [0.8] ANGLES

DRAWN BY: MC  
 DATE: 06-19-01  
 CHK'D: PJ1

REVIEW DRAWING NUMBERS

DRAWING FILENAME: MO1106BD\_DC\_00E.prt  
 SCALE: NONE  
 PART NO.: SEE TABLE  
 DRAWING NO.: 01106-06  
 SIZE: A